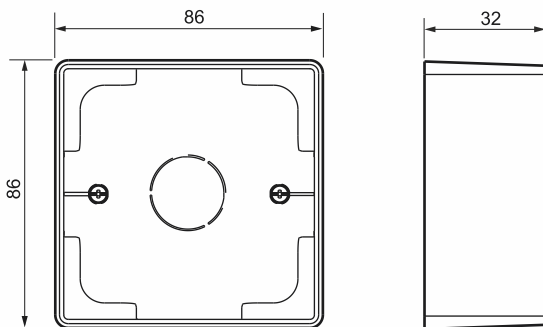


Surface Mount Box



Horizontal or vertical mounting. Boxes receive composable mechanisms. Clean the surface with a cloth. Do not use acetone, tar-removing cleaning agents or trichloroethylene

Overall Dimensions (mm)



Climatic characteristics

Thermoplastic
 Colour : White
 Compatible For : Single, Dual and Quad Faceplate
 Volumetric Weight : 0.20 kg
 Dimension : 86 x 86 x 32mm
 Category : Network Products
 Sub category : Box
 Halogen free
 Self-extinguishing : 650° C / 30 s

ORDERING INFORMATION

Surface Mount Box		
Part Code	Description	Color Code
DLT-SMYW	Delton Surface Mount Box White	White

Climatic characteristics

Storage temperature: - 10° C to + 70° C

Delton Cables Limited

17/4, Main Mathura Road, Sector 16A, Faridabad, Haryana - 121001
 Specifications are subject to change without notice.
 Delton is a registered trademark of Delton Cable Limited and its overseas subsidiaries.
 All other trademarks belong to their respective owners.